

About this Manual

We've added this manual to the Agilent website in an effort to help you support your product. This manual is the best copy we could find; it may be incomplete or contain dated information. If we find a more recent copy in the future, we will add it to the Agilent website.

Support for Your Product

Agilent no longer sells or supports this product. Our service centers may be able to perform calibration if no repair parts are needed, but no other support from Agilent is available. You will find any other available product information on the Agilent Test & Measurement website, www.tm.agilent.com.

HP References in this Manual

This manual may contain references to HP or Hewlett-Packard. Please note that Hewlett-Packard's former test and measurement, semiconductor products and chemical analysis businesses are now part of Agilent Technologies. We have made no changes to this manual copy. In other documentation, to reduce potential confusion, the only change to product numbers and names has been in the company name prefix: where a product number/name was HP XXXX the current name/number is now Agilent XXXX. For example, model number HP8648A is now model number Agilent 8648A.

Ferrites

Ferrites are included in the HP 1660ES-series logic analyzer's accessory pouch for the HP 1160 Miniature Passive Probes. When properly installed, the ferrites reduce RFI emissions from the oscilloscope probes.

In order to ensure compliance of the HP 1660ES-series logic analyzer's to the CISPR 11 Class A radio frequency interference (RFI) limits, you must install the ferrite to absorb radio frequency energy.

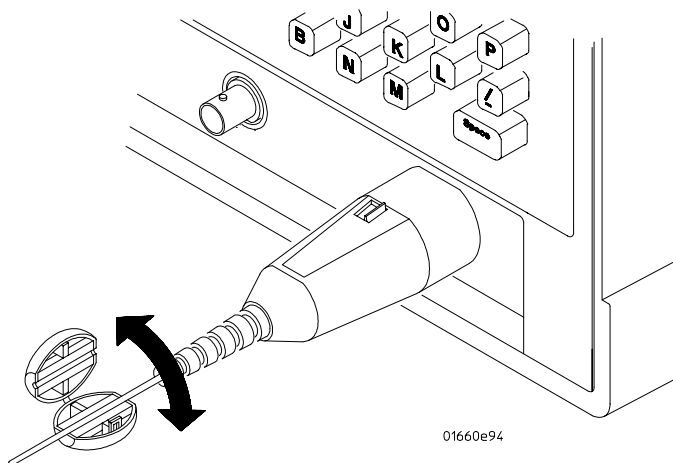
NOTE:

Adding or removing the ferrite will not affect the normal operation of the analyzer or oscilloscope.

Ferrite installation instructions

Use the following steps to install the ferrites on the oscilloscope cables

- 1 Open the ferrite and place it no more than 1 inch from the base of the probe cable.
- 2 Close the ferrite around the cable.



Ferrites



01660-92006